

Bivona® Specialty Silicone Tracheostomy Products

Simple Solutions for Complex Problems



Bivona® Inner Cannulae*
BRC Adult Series
Combining comfort with secretion management

Cuffless Tubes

60 Adult, Paediatric, Neonatal Series
For comfort and ease of use

- Soft and flexible
- Cleanable, reprocessable for single patient use



Red, irritated or sensitive stoma tissue

Granuloma tissue

Swallowing discomfort due to rigid, plastic tracheostomy tube

Difficult (traumatic) insertion or removal

TTS™ Tubes

67 Adult, Paediatric & Neonatal Series
Cuffless tube...with soothing comfort!

- Intermittent short-term ventilatory support
- Nocturnal ventilatory support
- Ideal weaning tube



Potential for aspiration during swallowing

Swallowing difficulty

Tissue in-growth due to fenestrated tracheostomy tube

Difficulty with speech due to inadequate airflow through functional vocal cords

Patient trauma from insertion and removal of "floppy" cuffed tracheostomy tube

Fome-Cuf® Tubes

85 Adult, Paediatric & Neonatal Series
Automatically...

- Inflates the cuff and seals the trachea
- Maintains cuff inflation
- Adjusts cuff to tracheal changes
- Minimises caregiver intervention



Inability to affect seal at high peak pressures without tracheal damage

Excessive cuff pressure required to seal trachea

Aspiration and dysphagia associated with long term ventilation

Patient requires high PEEP

Unacceptable leak due to tracheal dilation

Aire-Cuf® Tubes

75 Adult Series
65 Paediatric and Neonatal Series
On a pillow of air!...

- Leak Protection
- Improves patient comfort
- Soft and flexible
- Hydrophobic



Excessive torque due to ventilator connections

Tracheostomy tube lumen compromise from encrustation build-up

Frequent tracheostomy tube change

Tracheal irritation from rigid pre-curved PVC tracheostomy tubes

Adjustable Hyperflex™

67HA & 75HA Adult Series
60HA Paediatric Series
One size fits all...

- Adjustable neck flange allows tube length variation on vertical and horizontal planes
- Off the shelf customised fit is possible
- Temporary solution for your immediate problems



Tracheal dimension will not accommodate standard shaft length

Tracheostomy position higher or lower than normal

Unusual tracheal curve

Tracheal stenosis, tracheal malacia or T-E fistula requires variable tube shaft length

"Short or no neck" or "bull neck" patient

Fixed Flange Hyperflex™

60AFHXL, 67FHXL & 75AFHXL Adult Series
Extended length

- Uncuffed, Aire-Cuff® and TTS™ options
- Longer than standard shaft lengths
- Both extra vertical and horizontal length
- Provides a more permanent solution



Unusual tracheal curve

"Short or no neck" or "bull neck" patient

Tracheostomy position higher or lower than normal

Tracheal dimension will not accommodate a standard length tube

FlexTend™ and FlexTend™ Plus

60PFS & 60PPF Paediatric Series
60NFP Neonatal Series
Short or no neck!...

- Ideal for patients with minimal chin to stoma distances
- Access friendly



Patient's chin obstructs the tracheostomy tube

Irritation and discomfort due to ventilator connections

Chin flexion may create increased risk of kinking

Connector location makes pulmonary access difficult

Prone position makes tube inaccessible

FlexTend™ TTS™ and FlexTend™ TTS™ Plus

67PFS & 67PPF Paediatric Series
67NFP Neonatal Series
Inspired by you

- Helps to alleviate pressure points in no neck patients
- Supports mechanical ventilation
- Aids weaning and phonation



The child's anatomy has not yet fully developed

Connector location makes stoma site access difficult

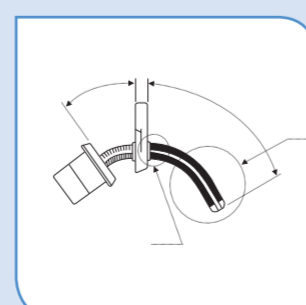
For neonates and paediatrics with tracheostomy related pressure ulcers

Aspiration during periods of ventilator support

Customised

Special problems require special solutions

- Irregular stoma
- Longer shaft
- Long-term solution
- Multiple options



Stenosis, malacia, TE fistula

Leaky stoma

Standard tracheostomy tube does not fit properly

Neck flange irritation

Unusual tracheal anatomy

*Compatible Bivona® Tracheostomy Tubes - Bivona® TTS: 670170, 670175, 670180, 670185, 670190. Adult Bivona® Mid-Range Aire-Cuf®: 750170, 750180, 750190. Adult Bivona® Uncuffed Tracheostomy Tubes: 60A170, 60A180, 60A190

Smiths Medical International Ltd.
1500 Eureka Park, Lower Pemberton,
Ashford, Kent, TN25 4BF
Tel: +44 (0)1233 722351
Fax: +44 (0)1233 722153
www.smiths-medical.com

Smiths Medical ASD, Inc.
6000 Nathan Lane North
Minneapolis, MN 55442, USA
Tel: 1-614-210-7300
Toll-Free USA: 1-800-258-5361
www.smiths-medical.com

For Customer Services and Customised Tube Services please call +44 (0)1233 722351
www.smiths-medical.com/tracheostomy

Smiths Medical is part of the global technology business Smiths Group plc. Aire-Cuf, FlexTend, Fome-Cuf, Hyperflex, TTS and the Portex and Smiths Medical design marks are trademarks of Smiths Medical. Product(s) described may not be licensed or available for sale in all countries. Please see the Instructions for Use/Operator's Manual for a complete listing of the indications, contraindications, warnings and precautions. The symbol ® indicates the trademark is registered in the U.S. Patent and Trademark Office and certain other countries. ©2019 Smiths Medical. All rights reserved. TR1944026B-102019

MHYTCA-1085
Rx ONLY CE 0413

PORTEX®