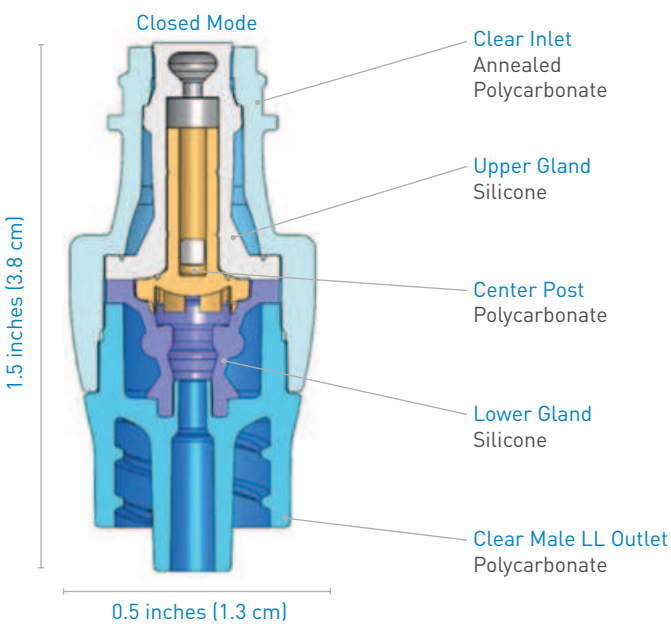


# Neusite™ Clear Needleless Connector (NC5000-INT)

## Technical Summary Sheet

### Materials of Construction and Dimensions



### Device Classification

Class II, USA

### Indications for Use

The Neusite™ clear needleless connector is a neutral displacement, single patient use, sterile, non-pyrogenic device for needleless access to the IV line and/or IV catheter during IV therapy. The connector can be used for direct injection, intermittent infusion, continuous infusion, or aspiration.

### Specifications

Fluid displacement	< 0.008 mL
Flow rate through valve	~6 L/hr
Mean priming volume	0.12 mL
System pressure – back pressure	45 psi
System pressure - activation pressure power injectable	325 psi
Functional actuations	200
Continuous single activation	96 hours
Syringe compatibility	Luer locks & slips
Residual volume	< 0.11 mL
Microbial barrier	7 day use
MRI compatible	✓
Blood compatible	✓
Alcohol compatible	✓
Lipid compatible	✓
Chlorhexidine compatible	✓
Chemotherapy compatible	✓
Not made with natural rubber latex	✓
Not manufactured with DEHP	✓
RoHS compliant	✓
REACH compliant	✓
Made with animal products	✗
Clear linear fluid path	✓
Shelf life	60 months
Sterilization method	EtO

### Manufactured By

NP Medical  
101 Union Street  
Clinton, MA 01510 USA

### Country of Origin

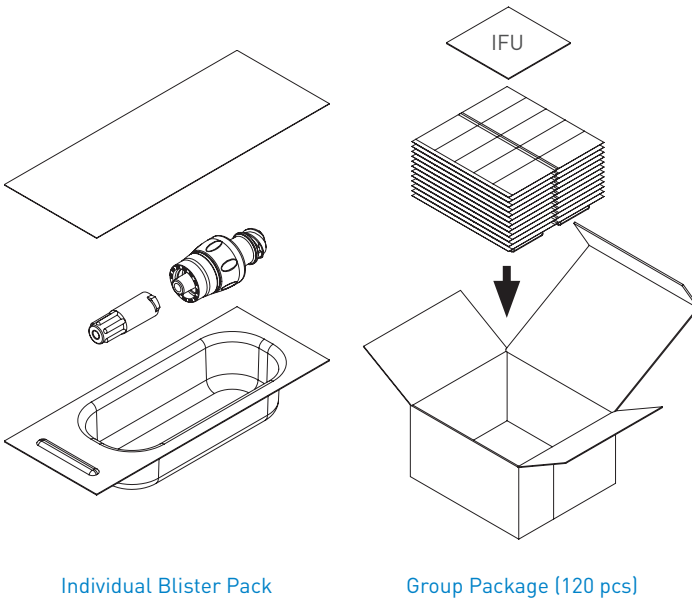
USA

### Relevant Standards

- ISO 80368-7: Small bore connectors for liquids and gases
- ISO 10993-1:2009: Externally communicating device (blood path, indirect) for prolonged durations (24 hours to 30 days)
- ISO 10993-7: 2014
- ISO 11607-1: 2009

### LABELING AND PACKAGING

Product is individually blister-packed in a Tyvek lid. It is then packaged in a 7" x 6 1/4" x 4" Kraft carton (120 pieces per carton). One IFU included per carton.



Individual Blister Pack

Group Package (120 pcs)

For more information visit our website at [www.smiths-medical.com](http://www.smiths-medical.com)

PRODUCT(S) DESCRIBED MAY NOT BE LICENSED OR AVAILABLE FOR SALE IN ALL GEOGRAPHIES

**Smiths Medical ASD, Inc.**  
6000 Nathan Lane North  
Minneapolis, MN, 55442, USA  
Tel: 1-614-210-7300  
Toll-Free USA 1-800-258-5361  
[www.smiths-medical.com](http://www.smiths-medical.com)

**Smiths Medical International Ltd**  
1500 Eureka Park, Lower Pemberton  
Ashford Kent, TN25 4BF  
Tel: +44 (0)845 850 0445

MMSPCA-0384



smiths medical

Find your local contact information at: [www.smiths-medical.com/customer-support/contact-us](http://www.smiths-medical.com/customer-support/contact-us)

Smiths Medical is part of the global technology business Smiths Group plc. Please see the Instructions for Use/Operator's Manual for a complete listing of the indications, contraindications, warnings and precautions. Neusite and the Smiths Medical design mark are trademarks of Smiths Medical. The symbol ® indicates the trademark is registered in the U.S. Patent and Trademark Office and certain other countries. All other names and marks mentioned are the trademarks or service marks of their respective owners. ©2019 Smiths Medical. All rights reserved. IN193883GB-062019