

# GRIPPER® Huber Needles

## Technical Summary

### Indications

This product is indicated for the administration into or withdrawal of fluids from implanted ports.

### Legal Manufacturer

Smiths Medical ASD, Inc.  
6000 Nathan Lane North  
Minneapolis, MN 55442 USA

### Manufacturing Site Name and Address

Smiths Healthcare Manufacturing S.A.  
de C.V. Avenida Calidad No. 4  
Parque Industrial Internacional Tijuana  
Tijuana, B.C.C.P. Baja CA 22425 Mexico

### Country of Origin

Mexico

### Animal Origin

None of the devices listed on this product family incorporate any substances that are derived from animal tissues as per Commission Regulation (EU) 722/2012.

### Sterilisation Method

Ethylene Oxide

### Shelf-Life

A 5-year expiration date is assigned to the product as long as the packaging is undamaged and unopened, based on accelerated aging stability shelf-life testing and real-time aging.

**Not manufactured with DEHP plasticiser**

**MR conditional up to 3 Tesla**

### Labelling and Packaging

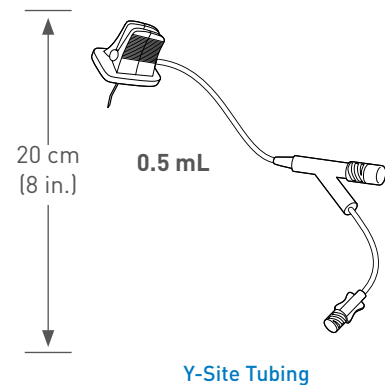
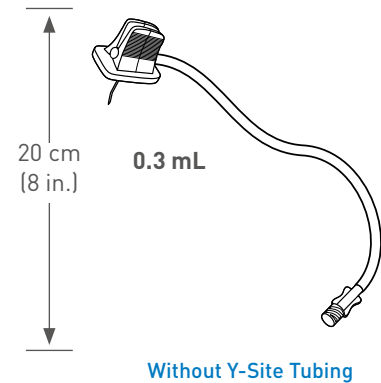
| Container Type     | Length | Width  | Height | Weight |
|--------------------|--------|--------|--------|--------|
| Unit Pack (1 unit) | 101 mm | 145 mm | 2.2 mm | 9.1 g  |
| Shelf Pack         | 205 mm | 92 mm  | 148 mm | 245 g  |
| Case Pack          | 492 mm | 422 mm | 406 mm | 7.4 kg |

### Component Compositions

|                     |                   |
|---------------------|-------------------|
| Clip                | Acetal            |
| Foam                | EVA               |
| Base & Pivot Arm    | Acrylic Copolymer |
| Cannula             | 304 SS            |
| Cannula Protector   | LDPE              |
| Tubing              | PVC, TOTM         |
| Clamp               | Acetal            |
| Female Luer         | PVC, TOTM         |
| Non-Vented Male Cap | ABS               |



### Priming Volume



## Product Range and Specifications

### GRIPPER® Huber Needles

Not made with natural rubber latex, non-coring, non-siliconised, removable contoured grip, cushioned needle platform, 20 cm (8 in.) extension tubing with or without Y-site

| Y-site<br>Removable injection cap on Luer-lock Y-site | Length           | Reorder No. | GTIN                   | Unit   |
|---|------------------|-------------|------------------------|--------|
| 22 gauge  | 16 mm (5/8 inch) | 21-2938-24  | (01) 3 0610586 02321 1 | 12/box |
|   | 19 mm (3/4 inch) | 21-2939-24  | (01) 3 0610586 01674 9 | 12/box |
|   | 25 mm (1 inch)   | 21-2940-24  | (01) 3 0610586 01675 6 | 12/box |
|   | 32 mm (1 ¼ inch) | 21-2941-24  | (01) 3 0610586 01676 3 | 12/box |
| 20 gauge  | 16 mm (5/8 inch) | 21-2946-24  | (01) 3 0610586 02323 5 | 12/box |
|   | 19 mm (3/4 inch) | 21-2947-24  | (01) 3 0610586 01677 0 | 12/box |
|   | 25 mm (1 inch)   | 21-2948-24  | (01) 3 0610586 01678 7 | 12/box |
|   | 32 mm (1 ¼ inch) | 21-2949-24  | (01) 3 0610586 01679 4 | 12/box |
| 19 gauge  | 19 mm (3/4 inch) | 21-2955-24  | (01) 3 0610586 01680 0 | 12/box |
|   | 25 mm (1 inch)   | 21-2956-24  | (01) 3 0610586 01681 7 | 12/box |
|   | 32 mm (1 ¼ inch) | 21-2957-24  | (01) 3 0610586 01682 4 | 12/box |
| Without Y-site  | Length           | Reorder No. | GTIN                   | Unit   |
| 22 gauge  | 16 mm (5/8 inch) | 21-2737-24  | (01) 3 0610586 02320 4 | 12/box |
|   | 19 mm (3/4 inch) | 21-2733-24  | (01) 3 0610586 01584 1 | 12/box |
|   | 25 mm (1 inch)   | 21-2714-24  | (01) 3 0610586 01578 0 | 12/box |
|   | 32 mm (1 ¼ inch) | 21-2715-24  | (01) 3 0610586 01579 7 | 12/box |
| 20 gauge  | 16 mm (5/8 inch) | 21-2736-24  | (01) 3 0610586 02322 8 | 12/box |
|   | 19 mm (3/4 inch) | 21-2734-24  | (01) 3 0610586 01585 8 | 12/box |
|   | 25 mm (1 inch)   | 21-2717-24  | (01) 3 0610586 01580 3 | 12/box |
|   | 32 mm (1 ¼ inch) | 21-2718-24  | (01) 3 0610586 01581 0 | 12/box |
| 19 gauge  | 19 mm (3/4 inch) | 21-2735-24  | (01) 3 0610586 01586 5 | 12/box |
|   | 25 mm (1 inch)   | 21-2720-24  | (01) 3 0610586 01582 7 | 12/box |
|   | 32 mm (1 ¼ inch) | 21-2721-24  | (01) 3 0610586 01583 4 | 12/box |

PRODUCT(S) DESCRIBED MAY NOT BE LICENSED OR AVAILABLE FOR SALE IN ALL GEOGRAPHIES

**Smiths Medical ASD, Inc.**  
6000 Nathan Lane North  
Minneapolis, MN, 55442, USA  
Tel: 1-614-210-7300  
Toll-Free USA 1-800-258-5361  
www.smiths-medical.com

**Smiths Medical International Ltd**  
1500 Eureka Park, Lower Pemberton  
Ashford Kent, TN25 4BF  
Tel: +44 (0)845 850 0445



Smiths Medical is part of the global technology business Smiths Group plc. Please see the Instructions for Use/Operator's Manual for a complete listing of the indications, contraindications, warnings and precautions. Gripper Plus and the Smiths Medical design mark are trademarks Smiths Medical. The symbol © indicates the trademark is registered in the U.S. Patent and Trademark Office and certain other countries. ©2020 Smiths Medical. All rights reserved. VA0091.GB.EU.REV.A.0220