

# GRIPPER® Micro Blunt Cannula, Non-coring Safety Needles

## Technical Summary

### Indications

This product is indicated for the administration into, or withdrawal of fluids from implanted ports. It is designed to help protect against accidental needle stick injuries. It does not protect against other routes of bloodborne pathogen transmission.

### Legal Manufacturer

Smiths Medical ASD, Inc.  
6000 Nathan Lane North  
Minneapolis, MN 55442 USA

### Manufacturing Site Name and Address

Smiths Healthcare Manufacturing S.A.  
de C.V. Avenida Calidad No. 4  
Parque Industrial Internacional Tijuana  
Tijuana, B.C.C.P. Baja CA 22425 Mexico

### Labelling and Packaging

Container Type	Length	Width	Height	Weight
Unit Pack (1 unit)	101 mm	145 mm	2.2 mm	13 g
Shelf Pack	205 mm	92 mm	148 mm	250 g
Case Pack	492 mm	422 mm	406 mm	7.4 kg

### Component Compositions

Clip	Acetal
Foam	EVA
Base & Pivot Arm	Acrylic Copolymer
Cannula	304 SS
Cannula Protector	LDPE
Tubing	PVC, TOTM
Clamp	Acetal
Female Luer	PVC, TOTM
Non-Vented Male Cap	ABS

### Country of Origin

Mexico

### Animal Origin

None of the devices listed on this product family incorporate any substances that are derived from animal tissues as per Commission Regulation (EU) 722/2012.

### Sterilisation Method

Ethylene Oxide

### Shelf-Life

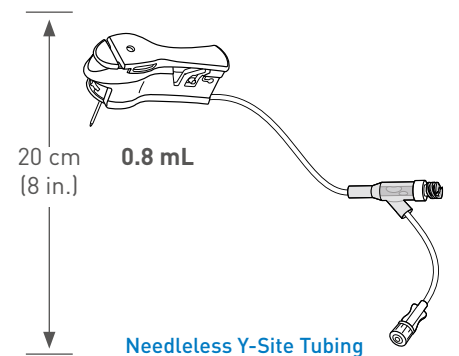
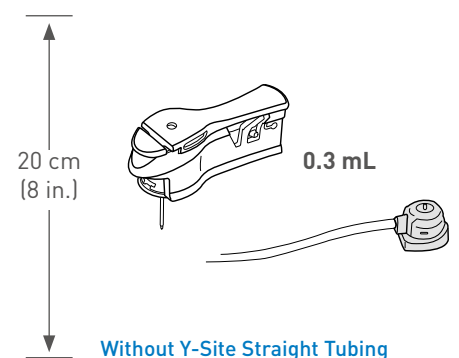
A 5-year expiration date is assigned to the product as long as the packaging is undamaged and unopened, based on accelerated aging stability shelf-life testing and real-time aging.

**Not manufactured with DEHP plasticiser**

**MR conditional up to 3 Tesla**



### Priming Volume



## Product Range and Specifications

### GRIPPER® Micro Blunt Cannula, Non-coring Safety Needles (MR Conditional up to 3-Tesla)

Not made with natural rubber latex, non-coring, non-siliconised, cushioned infusion site, 20 cm (8 in.) extension tubing with or without Y-site

Needleless Y-site Luer-activated needleless injection site	Length	Reorder No.	GTIN	Unit
22 gauge	19 mm (3/4 inch)	21-3271-24	(01) 3 0610586 02988 6	12/box
	25 mm (1 inch)	21-3272-24	(01) 3 0610586 02989 3	12/box
	32 mm (1¼ inch)	21-3273-24	(01) 3 0610586 02990 9	12/box
20 gauge	19 mm (3/4 inch)	21-3276-24	(01) 3 0610586 02993 0	12/box
	25 mm (1 inch)	21-3277-24	(01) 3 0610586 02994 7	12/box
	32 mm (1¼ inch)	21-3278-24	(01) 3 0610586 02995 4	12/box
19 gauge	19 mm (3/4 inch)	21-3280-24	(01) 3 0610586 02997 8	12/box
	25 mm (1 inch)	21-3281-24	(01) 3 0610586 02998 5	12/box
	32 mm (1¼ inch)	21-3282-24	(01) 3 0610586 02999 2	12/box
Without Y-site	Length	Reorder No.	UPC No.	Unit
22 gauge	19 mm (3/4 inch)	21-3251-24	(01) 3 0610586 02974 9	12/box
	25 mm (1 inch)	21-3252-24	(01) 3 0610586 02975 6	12/box
	32 mm (1¼ inch)	21-3253-24	(01) 3 0610586 02976 3	12/box
20 gauge	19 mm (3/4 inch)	21-3256-24	(01) 3 0610586 02979 4	12/box
	25 mm (1 inch)	21-3257-24	(01) 3 0610586 02980 0	12/box
	32 mm (1¼ inch)	21-3258-24	(01) 3 0610586 02981 7	12/box
19 gauge	19 mm (3/4 inch)	21-3260-24	(01) 3 0610586 02983 1	12/box
	25 mm (1 inch)	21-3261-24	(01) 3 0610586 02984 8	12/box
	32 mm (1¼ inch)	21-3262-24	(01) 3 0610586 02985 5	12/box

PRODUCT(S) DESCRIBED MAY NOT BE LICENSED OR AVAILABLE FOR SALE IN ALL GEOGRAPHIES

**Smiths Medical ASD, Inc.**  
6000 Nathan Lane North  
Minneapolis, MN, 55442, USA  
Tel: 1-614-210-7300  
Toll-Free USA 1-800-258-5361  
[www.smiths-medical.com](http://www.smiths-medical.com)

**Smiths Medical International Ltd**  
1500 Eureka Park, Lower Pemberton  
Ashford Kent, TN25 4BF  
Tel: +44 (0)845 850 0445

  
2797  
**smiths medical**

Smiths Medical is part of the global technology business Smiths Group plc. Please see the Instructions for Use/Operator's Manual for a complete listing of the indications, contraindications, warnings and precautions. Gripper and the Smiths Medical design mark are trademarks Smiths Medical. The symbol © indicates the trademark is registered in the U.S. Patent and Trademark Office and certain other countries. ©2020 Smiths Medical. All rights reserved. VA0088.GB.EU.REVA.0220