

SmartSite® Needle-Free Valve

Instructions

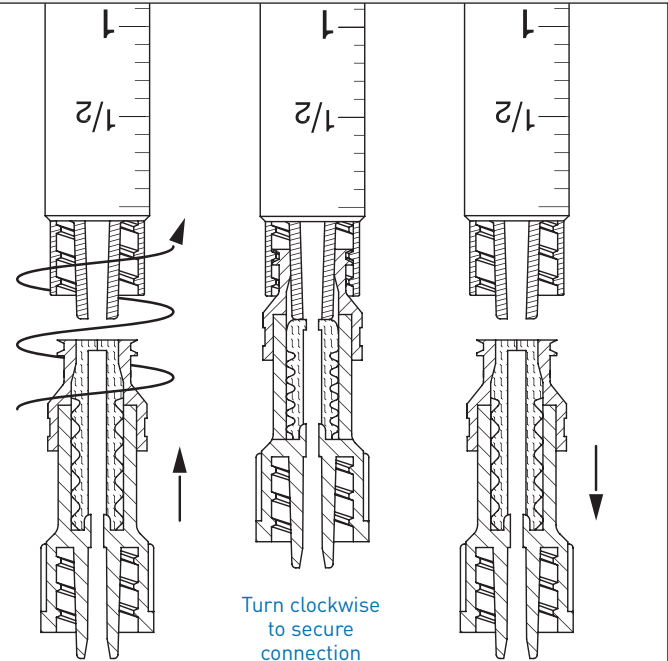
SmartSite® Needle-Free Valve is designed for injection, aspiration, or gravity flow of fluids after it has been accessed by a male luer lock. Please follow these instructions for use.

To prepare the two-way luer locking valve port:

1. Thoroughly swab the smooth top of the septum with preferred antiseptic prior to accessing.
2. Remove the protective cap on the male luer lock.
3. If the SmartSite® valve is already attached to a female fitting, make sure all connections are secure before using. Connections may have loosened during shipment.
4. Connect the male luer to the female luer of the connecting device.
5. Prime the valve port and expel air as needed.
6. Attach administration set or syringe to the valve port.
7. **DO NOT INSERT NEEDLES OR BLUNT CANNULAS INTO THE VALVE PORT.**
8. To prevent fluid backup after flushing the valve, twist the syringe counterclockwise and continue depressing the syringe plunger until the syringe is disengaged from the valve.

To allow use of a needle:

1. Attach a 'PRN' adapter (MX498 Latex Free) with sufficient length to accommodate needle to the SmartSite® valve.
2. Insert a syringe needle into the 'PRN' adapter and deliver fluids.



Indications:

- This device is not intended for use with blunt cannula systems. Such usage may result in fluid leakage.
- For unattended medication delivery, only luer-locking secondary sets and syringes should be used.
- Flush SmartSite® valve port in accordance with hospital policy after or between: small volume injections, blood or blood product infusions, blood withdrawals, and/or incompatible medications.
- Single patient use only
- Replace this device every 24 hours or in accordance with current, recognized guideline of I.V. therapy. Observe appropriate infection control procedures.
- This device is compatible with various medical fluids including standard I.V. solutions, lipids, blood, and blood products.
- Always use aseptic technique.

Smiths Medical 2231 Rutherford Road Carlsbad, California 92008, USA T: 800 848 1757 F: 800 621 2590 www.smiths-medical.com

Caution: Federal [U.S.A.] law restricts these devices to sale by or on the order of a physician. SMARTSITE® is a registered trademark of CARDINAL HEALTH INC., ALARIS PRODUCTS. The symbol ® indicates the trademark is registered in the U.S. Patent and Trademark Office and certain other countries. The product described is covered by one or more of the following U.S. Patent Nos. 5,676,346, and; Re 35,841 other patent(s) pending; foreign patent(s) pending. ©2006 Smiths Medical family of companies. All rights reserved. All other names and marks mentioned are the trademarks or service marks of their respective owners. IS116 2006.2